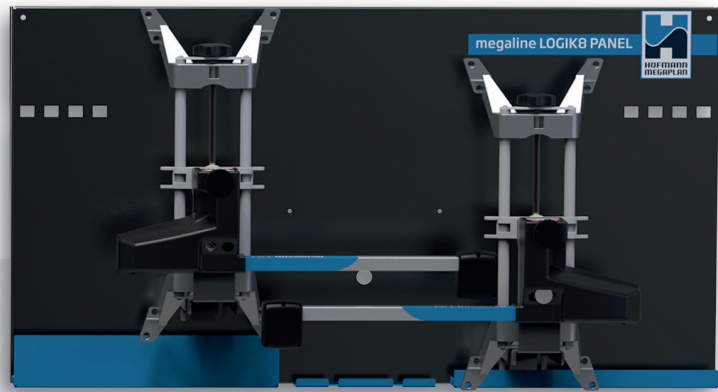
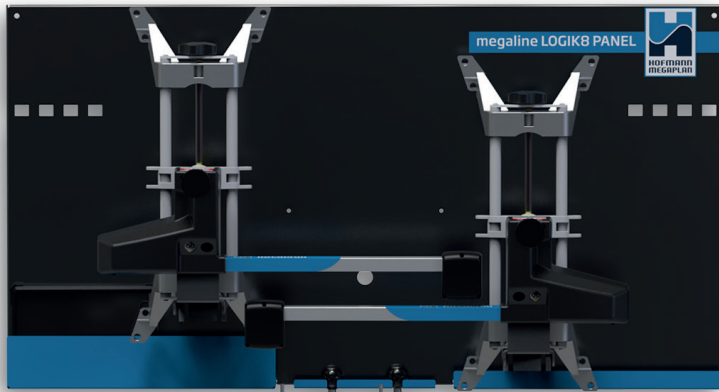




megaline LOGIK8 PANEL

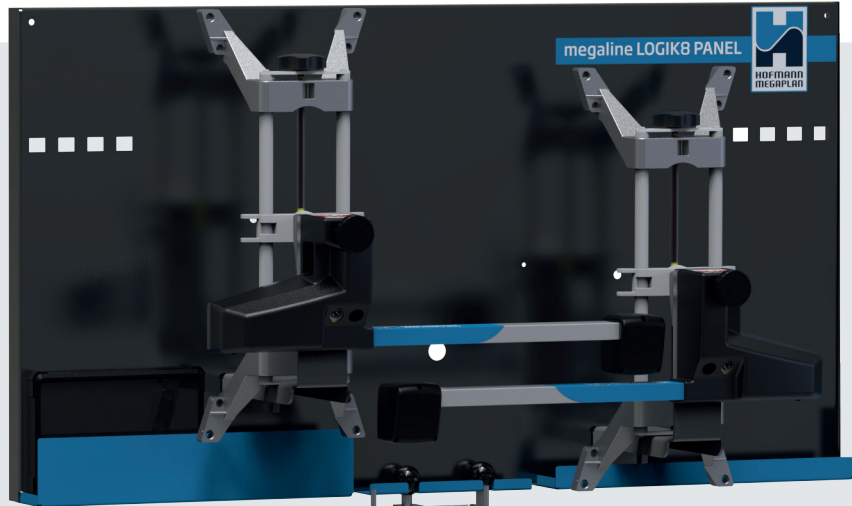
ON WALL CCD WHEEL
ALIGNMENT FOR CARS
AND
LIGHT TRUCKS



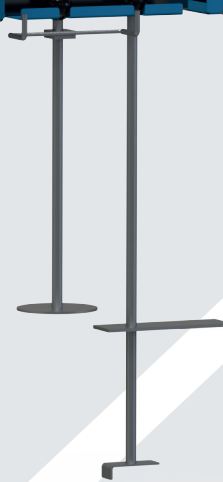
megaline

megaline

The wide range of wheel aligners provided by Hofmann Megaplan represents an effective solution for measuring the alignment of cars and heavy vehicles. Hofmann Megaplan wheel alignment systems are highly technological and quickly generate extremely accurate and reliable results.



The panels are equipped with functional trays for storing tablets and nails and with sturdy supports for grips, brake locks and steering locks. The toughpad and sensors, once placed on the panels, are recharged through a cable. No need to disassemble the batteries to the advantage of working convenience.



megaline LOGIK8 PANEL

ON WALL CCD
WHEEL ALIGNMENT
FOR CARS AND LIGHT TRUCKS



✓
**ACCURATE
MEASUREMENTS**

Accurate measurements

CCD (Charged Coupled Device) sensor technology enables a quick and accurate measurement of all alignment parameters for cars and light trucks. Sensors mount lithium batteries, featuring a long durability when charged, which are immune to the memory effect and can be recharged at any time. The MEMS accelerometer (Micro Electro-Mechanical System), together with the CCD cameras, enables the acquisition of the alignment parameters of wheels and it measures the sensor inclination according to the two main axes (caster and camber). The sensors are mounted on 4-point clamps for wheels from 12" to 24" (up to 30" if fitted with special optional extensions).



✓
**TOUGH
PAD**

Toughpad

The software is comfortably managed by a toughpad with 10" touch screen and an extremely robust, waterproof and dust-proof structure with a rubberised shatterproof cover. The toughpad supports the Windows 10 operating system and Wi-Fi connection, thus ensuring optimal ease of use even during operation under the vehicle. Complete with rear magnets to easily secure it to the rear axle during work operations.



✓
**ON
WALL**

Space-saving solution

The structure, composed up of two panels secured to the wall, allows working on vehicle wheel alignment, maximizing the work space even in small workshops. The two independent panels can also be positioned on opposite walls for maximum installation flexibility. Each operation is entirely managed via a tablet that communicates with the sensors via Bluetooth, ensuring constant quality in data transmission.

Updated database

The database, updated every four months, contains more than 55,000 models with related specifications. Software and database updates automatically take place via internet connection.

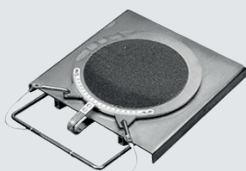


Diagnosis report

The diagnostics page shows the measurements made on the vehicle alongside the specifications provided by the database, highlighting in red the measurements that need to be adjusted. The Audit function provides a diagnosis of possible driving disturbances resulting from unsuitable values detected.



Optional accessories



TURNPLATES FOR CARS

Two turnplates for car.



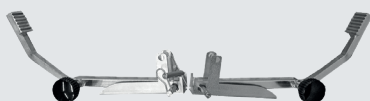
PREMIUM TURNPLATES

Two premium turnplates for cars complete with paddles.



4-POINT CLAMP EXTENSIONS

Set of 16 extensions for rims up to 30".



CLAMPING ARMS KIT

Clamp supporting arms and set of tips for tyres with 22" - 31" external diameter.



GRIPS FOR STEEL RIMS

Set of 4 metal grips for clamping on steel rims from the inside (also usable as adapters for other tips and grips).



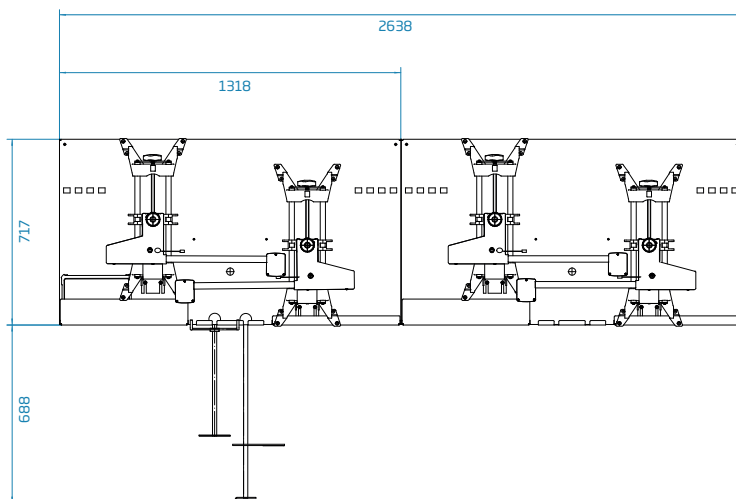
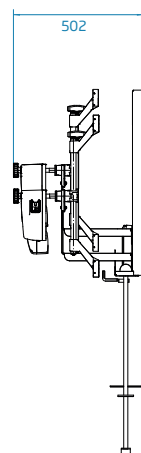
3-POINT CLAMPS

Set of 4 self-centring 3-point clamps for 10" to 25" rims.

Standard accessories



Two wall panels, toughpad with 10" touch screen, four 4-point clamps (12"-24") with universal grips and CCD sensors, brake pedal lock, steering lock, software and database for car, 48 mm and 80 mm metallic grip set.



Technical data

Power supply	230 VAC 1-phase - 50/60 Hz
	115 VAC 1-phase
Single panel net weight	28 kg
Clamp with sensor net weight	5 kg
Total net weight	76 kg



HOFMANN MEGAPLAN GmbH
 Hüttenstrasse 7 - 67550 Worms - Germany
 T +49 (0)6242 913 6666
 hm-mail@hofmann-megaplan.com
 www.hofmann-megaplan.com