



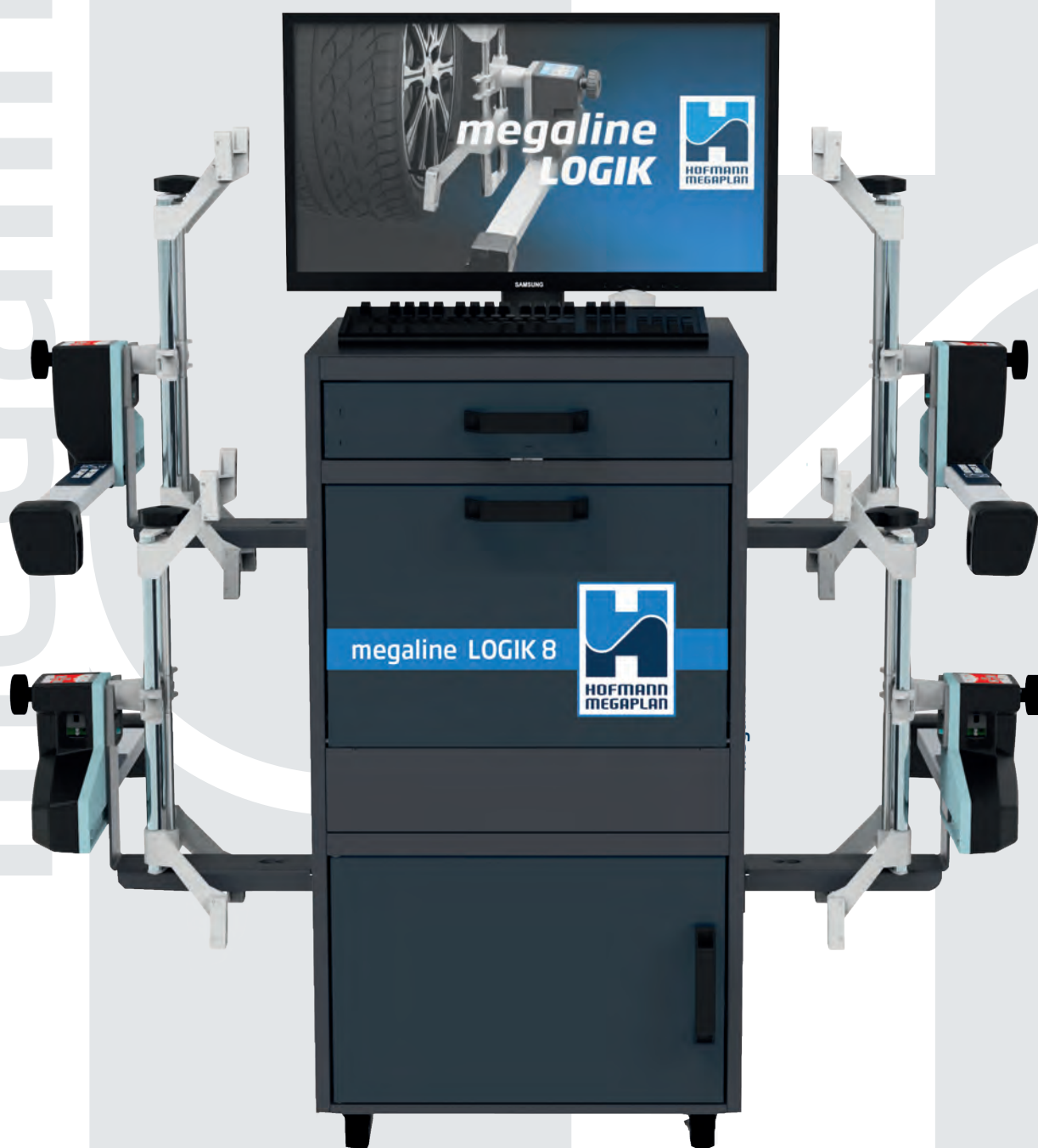
megaline LOGIK8

CCD WHEEL ALIGNMENT
FOR CARS AND LIGHT TRUCKS



The wide range of wheel aligners provided by Hofmann Megaplan represents an effective solution for measuring the alignment of cars and heavy vehicles. Hofmann Megaplan wheel alignment systems are highly technological and quickly generate extremely accurate and reliable results.

Computer equipped with Windows 10 operating system and 27" monitor. Cabinet with integrated trolley for maximum mobility.



megaline LOGIK8

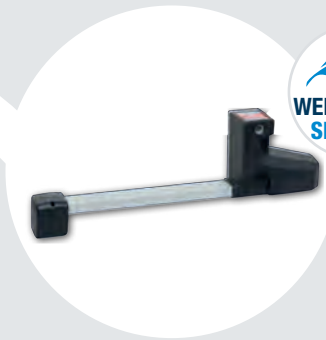
CCD WHEEL ALIGNMENT FOR CARS AND LIGHT TRUCKS



✓
**ACCURATE
MEASUREMENTS**

Accurate measurements

CCD (Charged Coupled Device) sensor technology enables a quick and accurate measurement of all alignment parameters for cars and light trucks. Sensors mount lithium batteries, featuring a long durability when charged, which are immune to the memory effect and can be recharged at any time. The MEMS accelerometer (Micro Electro-Mechanical System), together with the CCD cameras, enables the acquisition of the alignment parameters of wheels and it measures the sensor inclination according to the two main axes (caster and camber). The sensors are mounted on 4-point clamps for wheels from 12" to 24" (up to 30" if fitted with special optional extensions).



✓
**WEIGHTLESS
SENSORS**

Weightless sensors

The included sensors have a compact design and are incredibly lightweight, weighing only 2.6 kg for extreme user convenience. Innovative solar filter technology ensures maximum measurement stability even in environments with particularly intense lighting conditions. Battery charging is done directly on the grip, without the need for disassembly, thus ensuring significant time savings.

Updated database

The database, updated every four months, contains more than 55,000 models with related specifications. Software and database updates automatically take place via internet connection.



Diagnosis report

The diagnostics page shows the measurements made on the vehicle alongside the specifications provided by the database, highlighting in red the measurements that need to be adjusted. The Audit function provides a diagnosis of possible driving disturbances resulting from unsuitable values detected.



Versions on request

megaline LOGIK8 light: to reduce space requirements and meet the needs of workshops with limited space, the wheel alignment is provided upon request in a "light" version, with only 4 detectors; this allows you to use your own PC.

Optional accessories



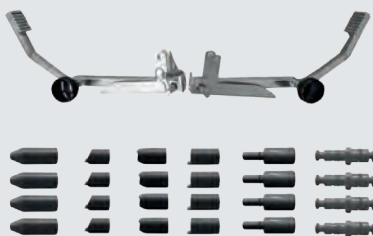
PREMIUM TURNPLATES

Two premium turnplates for cars complete with paddles.



4-POINT CLAMP EXTENSIONS

Set of 16 extensions for rims up to 30".



CLAMPING ARMS KIT

Clamp supporting arms and set of tips for tyres with 22" - 31" external diameter.



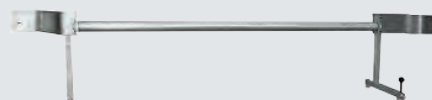
GRIPS FOR STEEL RIMS

Set of 4 metal grips for clamping on steel rims from the inside (also usable as adapters for other tips and grips).



WI-FI KEY

USB wifi key with internet connection for the automatic update of software and databases.



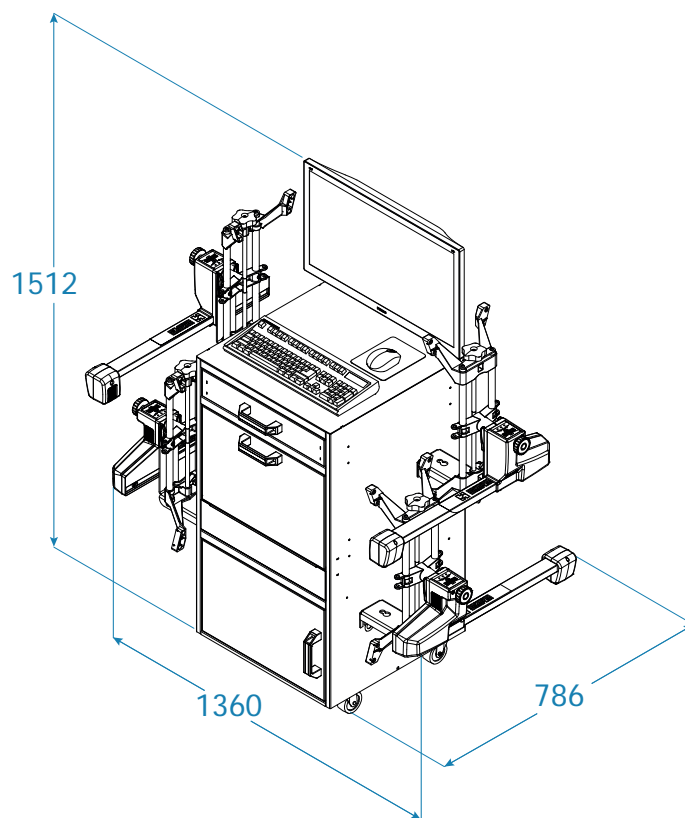
CALIBRATION KIT

Calibration Kit complete with spirit level to calibrate the cameras.

Standard accessories



Cabinet, computer with 27" TFT monitor, colour printer, keyboard, four 4-point clamps (12"-24") with 48 mm and 80 mm metallic grip set, CCD sensors, brake pedal lock, steering lock, two mechanical turntables for cars, software and database for car.



Technical data

Power supply	230 VAC 1-phase - 50/60 Hz
	115 VAC 1-phase
Clamp with sensor net weight	5 kg
Total net weight	155 kg



HOFMANN MEGAPLAN GmbH
 Hüttenstrasse 7 - 67550 Worms - Germany
 T +49 (0)6242 913 6666
 hm-mail@hofmann-megaplan.com
 www.hofmann-megaplan.com

AGHA08120